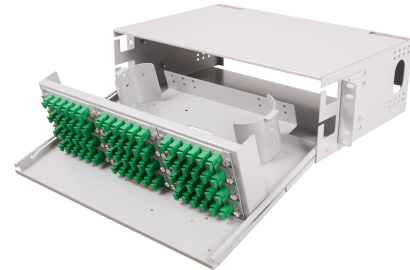


## OFDU-T Rack Mount Termination Cabinet

### Description:

The OFDU-T cabinet is based on universal optical distribution frames. The unified modular system enables easy reconfiguration and can be extended according to operator needs. The OFDU-T provides termination in convenient housing unit. The OFDU-T terminates up to 144 fibers in a 3U distribution frame. This unit can take up to 12 snap-in coupling panels or prewired cassettes. The slide-out and swing down shelf enables unrestricted front, rear and top access to termination panels and cable reserve.



### Features:

- Termination cabinet
- Slide-out and drop down shelf
- Aluminum material - low weight and shipment costs
- Up to 144 - fiber termination
- Removable top and back cover enables unrestricted front, rear and top access
- For FTTH use - microtube holder included
- Prewired CAPM cassettes include connectorized fiber pigtailed and adapters
- Lockable or latch door options are available
- Durable powder coat finish - RAL 9006

### Specifications:

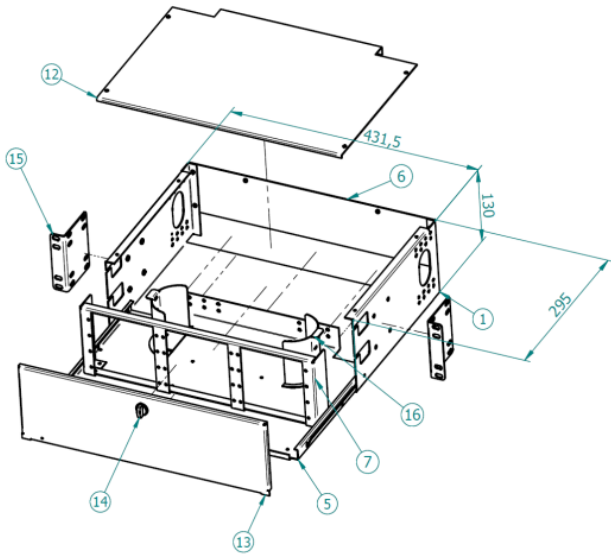
PART NUMBER	RACK UNITS	DIMENSIONS (H x W x D) mm	SHIP WGT (kg)
OFDU-T2	2U	88 x 432 x 305	1.5
OFDU-T3	3U	133 x 432 x 305	1.9

### OFDU-T2 - typical patch panel capacity

CNPM or CAPM1	Max	Fibers
CNPM-XX-06	6	36 (72) <sup>2</sup>
CNPM-XX-08		48
OFDU-T3 - typical patch panel capacity		
CNPM-XX-06	12	72 (144) <sup>2</sup>
CNPM-XX-08		96

Note:

- 1) CNPM coupling panel: CMS\_24-01\_EN-CNPM  
CAPM prewired cassette with pigtailed and adapters: CMS\_22-01\_EN-CAPM
- 2) Fiber capacity depends on connector adaptor type, e.g. in the case DSC it is double capacity.



**Parts which are available separately:**

- |    |                  |                          |
|----|------------------|--------------------------|
| 1  | OFDU-BU-X        | base unit                |
| 5  | OFDU-SS          | sliding shelf            |
| 6  | OFDU-RC-X        | rear cover               |
| 7  | OFDU-CP-X        | connector panel          |
| 12 | OFDU-TC          | top cover                |
| 13 | OFDU-DM-X        | front door metal (plexi) |
| 14 | Key lock / latch |                          |
| 15 | UH-X             | unit holder              |
| 16 | BRP reel         | radius protection        |
- X=2,3 - rack unit



Frame closed with metal door and key lock



Frame closed with plexi door and latch

**Ordering code:**

<b>OFDU-TX</b>	-	<b>XXX</b>	-	<b>XX(F)<sup>1</sup> X</b>	-	<b>XX</b>	-	<b>/(G)<sup>2</sup>(UHV)<sup>3</sup></b>															
<table border="1"> <tr><td><b>Version</b></td></tr> <tr><td><b>OFDU-T2</b>      2U</td></tr> <tr><td><b>OFDU-T3</b>      3U</td></tr> </table>		<b>Version</b>	<b>OFDU-T2</b> 2U	<b>OFDU-T3</b> 3U				<table border="1"> <tr><td><b>Front Door Option</b></td></tr> <tr><td><b>LM</b> Metal door - lock</td></tr> <tr><td><b>ZM</b> Metal door - latch</td></tr> <tr><td><b>LP</b> Plexi door - lock</td></tr> <tr><td><b>ZP</b> Plexi door - latch</td></tr> </table>		<b>Front Door Option</b>	<b>LM</b> Metal door - lock	<b>ZM</b> Metal door - latch	<b>LP</b> Plexi door - lock	<b>ZP</b> Plexi door - latch									
<b>Version</b>																							
<b>OFDU-T2</b> 2U																							
<b>OFDU-T3</b> 3U																							
<b>Front Door Option</b>																							
<b>LM</b> Metal door - lock																							
<b>ZM</b> Metal door - latch																							
<b>LP</b> Plexi door - lock																							
<b>ZP</b> Plexi door - latch																							
<table border="1"> <tr><td><b>Panel Capacity</b></td></tr> <tr><td><b>006 - 144 Fibers</b></td></tr> </table>		<b>Panel Capacity</b>	<b>006 - 144 Fibers</b>	<table border="1"> <tr><td><b>Coupling Type</b></td></tr> <tr><td><b>ST</b>                      ST adapter</td></tr> <tr><td><b>SC(F)</b>                  SC adapter</td></tr> <tr><td><b>FC</b>                      FC adapter</td></tr> <tr><td><b>E2(F)</b>                  E2000 adapter</td></tr> <tr><td><b>DSC(F)</b>                SC duplex adapter</td></tr> <tr><td><b>DLC(F)</b>                LC duplex adapter</td></tr> <tr><td><b>DMU(F)</b>                MU duplex adapter</td></tr> <tr><td><b>MJ</b>                      MT-RJ adapter</td></tr> <tr><td><b>DE2(F)</b>                Duplex E2000 adapter</td></tr> </table>			<b>Coupling Type</b>	<b>ST</b> ST adapter	<b>SC(F)</b> SC adapter	<b>FC</b> FC adapter	<b>E2(F)</b> E2000 adapter	<b>DSC(F)</b> SC duplex adapter	<b>DLC(F)</b> LC duplex adapter	<b>DMU(F)</b> MU duplex adapter	<b>MJ</b> MT-RJ adapter	<b>DE2(F)</b> Duplex E2000 adapter	<table border="1"> <tr><td><b>Applications</b></td></tr> <tr><td><b>M</b> Multimode</td></tr> <tr><td><b>S</b> Singlemode</td></tr> <tr><td><b>A</b> APC</td></tr> <tr><td><b>x</b> No adapters</td></tr> </table>		<b>Applications</b>	<b>M</b> Multimode	<b>S</b> Singlemode	<b>A</b> APC	<b>x</b> No adapters
<b>Panel Capacity</b>																							
<b>006 - 144 Fibers</b>																							
<b>Coupling Type</b>																							
<b>ST</b> ST adapter																							
<b>SC(F)</b> SC adapter																							
<b>FC</b> FC adapter																							
<b>E2(F)</b> E2000 adapter																							
<b>DSC(F)</b> SC duplex adapter																							
<b>DLC(F)</b> LC duplex adapter																							
<b>DMU(F)</b> MU duplex adapter																							
<b>MJ</b> MT-RJ adapter																							
<b>DE2(F)</b> Duplex E2000 adapter																							
<b>Applications</b>																							
<b>M</b> Multimode																							
<b>S</b> Singlemode																							
<b>A</b> APC																							
<b>x</b> No adapters																							

Note:  
 1) "F" - Fixed adaptors by screws  
 2) G - Grounding option - protection grounding wires installed, see datasheet CMS\_01-02\_EN-accessories  
 3) UHV - Vertical unit holder

